

# INSPINIA 10SQ

10" Touch Panel - Flush Mount



## Color Options

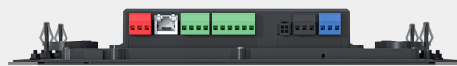
● Silver

● Gold

● Black

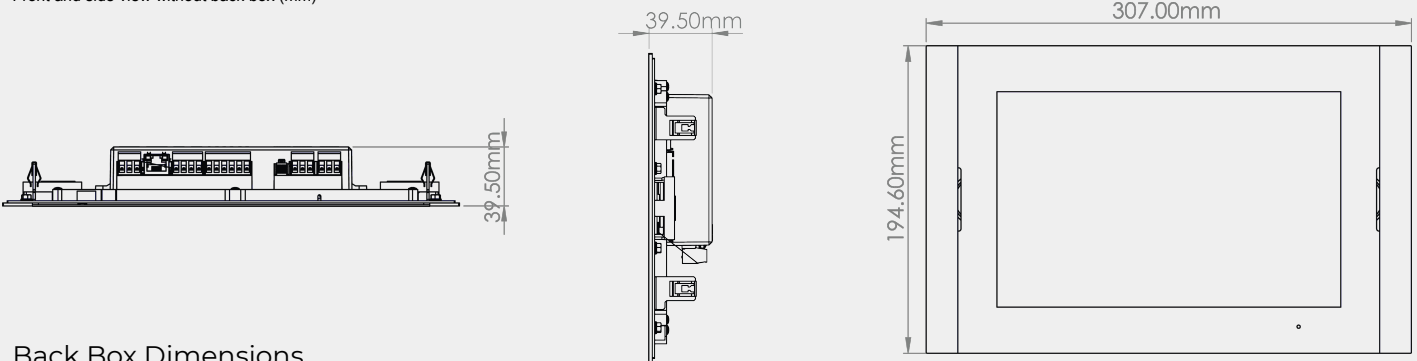


## Product Side Views



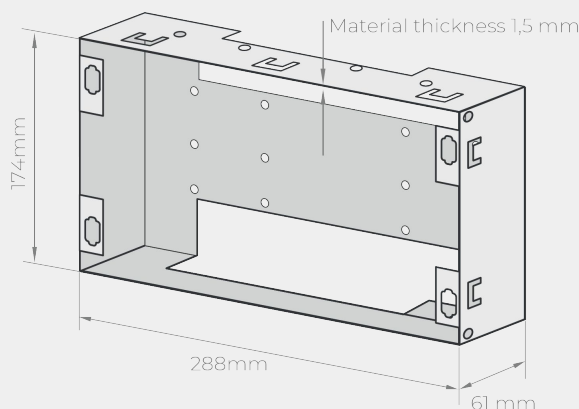
## Product Dimensions

Front and side view without back box (mm)



## Back Box Dimensions

Isometric view back box (mm)



# INSPINIA 10SQ

10" Touch Panel - Flush Mount





BASED ON FRAMEWORK  SKY THINGS

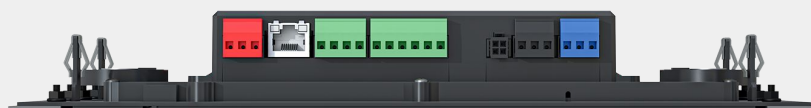
## Technical Specifications

Hardware:	A64 Quad-Core 1.3 GHz / 1GB DDR3 Ram / 8GB Nand flash OS Android 6.0 with Inspinia Application up to 1000 UI objects and 2000 BMS points (default 1000 BMS points) Initial license: 1000 BMS points / No HVAC (VRF) point
Display:	IPS 8" 1280 x 800 resolution 350 cd/m2 luminance with 5 point capacitive touchscreen Vertical and horizontal working mode
Power Supply:	24 VDC POE IEEE 802.3at Power consumption max. 13W
Standard Interfaces:	1x LAN RJ45 10/100/1000Mbps interface 2x Add-On (Optional Interface) Port 5x Digital In (Optional Isolated) 2x Digital Out (Dry Contact 5A / 250V AC max) 1x Uni-port 2x 3 Watt Speakers 1x Mic Input
Built-in Sensors:	Proximity detection range up to 200 mm Ambient illuminance measurement 0.0022 - 73000 lux Humidity sensor range 0% up to 100% RH Temperature sensor range -40°C up to +125°C
Optional Interfaces (Ref.):	KNX Twisted Pair (KNX) Bticino (SCS) Twisted Pair (SCS) RS485 (EIA-485) (RS4) DALI 2 (DLI) Galvanic isolated RS485 Modbus (GMD) VRF mainline communication (VRM/VRR) BLE Bluetooth 5.0 (BLE) Zigbee 3.0 (ZGB)
Working Temperature & Humidity:	-10°C – +60°C 5% – 90% at 25°C

 | 

 | 

 | 



Power In PoE Ethernet 2 x Digital Out 5 x Digital In USB 2.0 Host 2 x Add-On Port