

INSPINIA 8VT

8" Touch Panel - Flush Mount



Color Options

● Black



Customization possibilities upon request

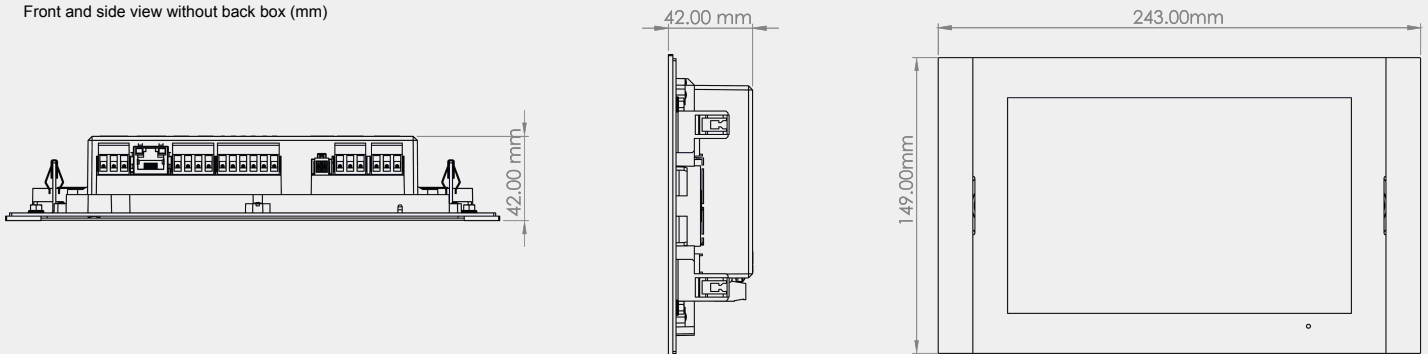
- Logo printing
- Glass color options - RAL and PANTONE colors are available

Product Side Views



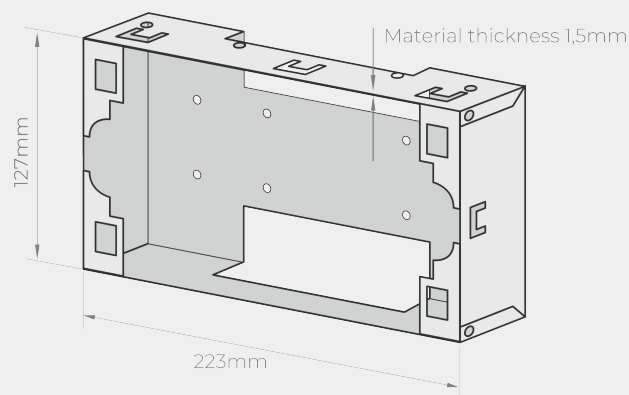
Product Dimensions

Front and side view without back box (mm)



Back Box Dimensions

Isometric view back box (mm)



INSPINIA 8VT

8" Touch Panel - Flush Mount



BASED ON FRAMEWORK  SKY THINGS

Product Specifications

Hardware:	A64 Quad-Core 1.3 GHz / 1GB DDR3 Ram / 8GB Nand flash OS Android 6.0 with Inspinia Application up to 1000 UI objects and 2000 BMS points Initial license: 1000 BMS points / No HVAC (VRV/VRF) point
Display:	IPS 8" 1280 x 800 resolution 350 cd/m2 luminance with 5 point capacitive touchscreen Vertical and horizontal working mode
Power Supply:	24 VDC POE IEEE 802.3at Power consumption max. 13W
Standard Interfaces:	(1x) LAN RJ45 10/100/1000Mbps interface (2x) Add-On (Optional Interface) Port (5x) Digital In (Optional Isolated) (2x) Digital Out (Dry Contact 5A / 250V AC max) (1x) UNI-Port (Peripherals port based on USB 2.0 OTG) (2x) 3 Watt Speakers (1x) Omni-directional Microphone
Optional Interfaces (Ref.):	KNX Twisted Pair (KNX) Bticino (SCS) Twisted Pair (SCS) RS485 (EIA-485) (RS4) DALI 2 (DLI) Galvanic isolated RS485 Modbus (GMD) VRF mainline communication (VRM/VRR) BLE Bluetooth 5.0 (BLE) Zigbee 3.0 (ZGB)
Working Temperature & Humidity:	-10°C – +50°C 5% – 90% at 25°C



Power In PoE Ethernet 2x Digital Out 5x Digital In USB 2.0 Host 2x Add-On Port